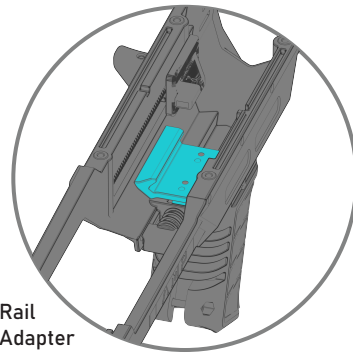


AMP Kit / Pistol to Carbine Conversion Kit**Before using the AMP, read this manual and abide with all the safety instructions**

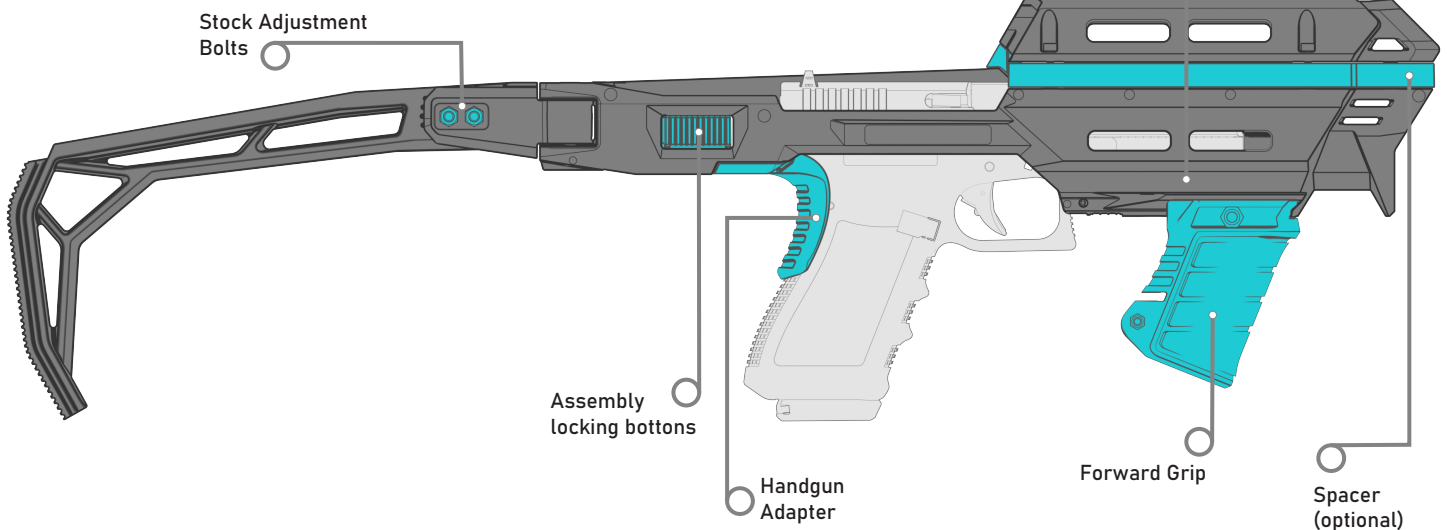
- Do not use power tools during any assembly or disassembly procedures!
- Make sure that your firearm is supported by the installed adapters of your AMP unit.



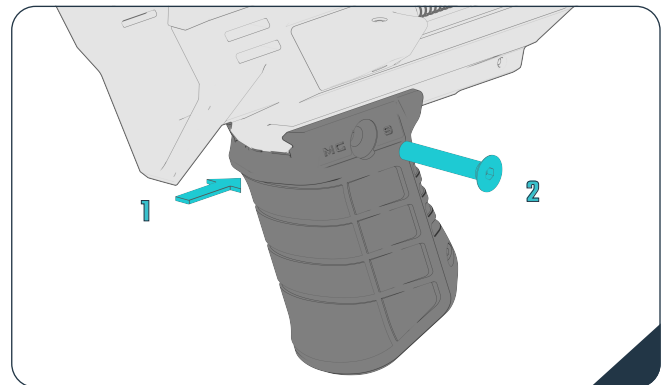
Always safety check and clear the firearm before installing any weapon accessorize



Rail Adapter

**Installing the MG-9 Foregrip**

To attach the provided forward grip, remove the main bolt, slide the grip on the polymer rail of the handguard and then secure it with the main bolt.



Always use your AMP modified firearm using a Foregrip



- YOU MUST BE FAMILIAR WITH YOUR FIREARM
- SAFETY CHECK YOUR FIREARM ACCORDING TO YOUR MANUFACTURER INSTRUCTIONS BEFORE PERFORMING ANY MAINTENANCE
- NEVER PERFORM MAINTENANCE ON YOUR FIREARM WITH AMMUNITION NEARBY
- ALWAYS KEEP YOUR FIREARM POINTED IN A SAFE DIRECTION
- ALWAYS KEEP YOUR FINGER OFF THE TRIGGER UNTIL YOU ARE READY TO SHOOT

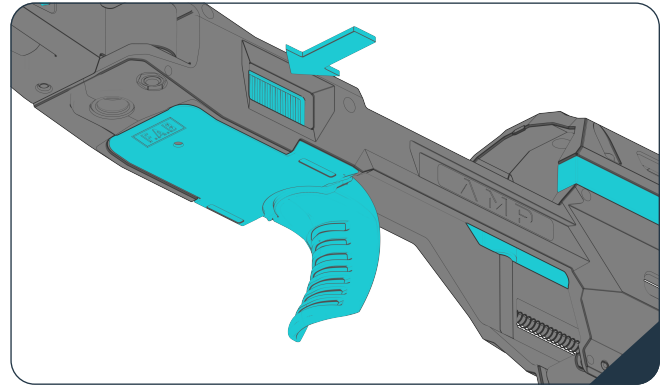


DO NOT USE POWER TOOLS WORKING ON YOUR AMP

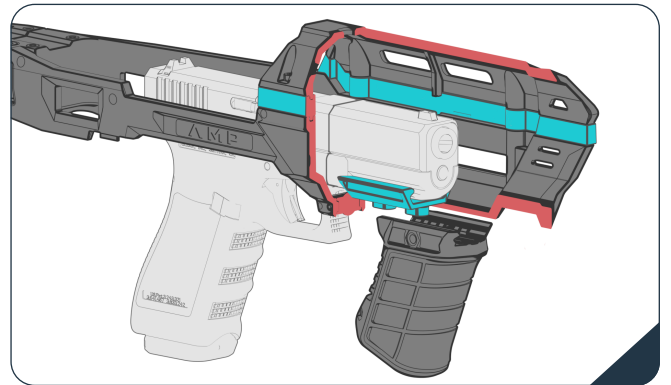


Handgun Installation

Push the two assembly locking buttons and take out the handgun adapter

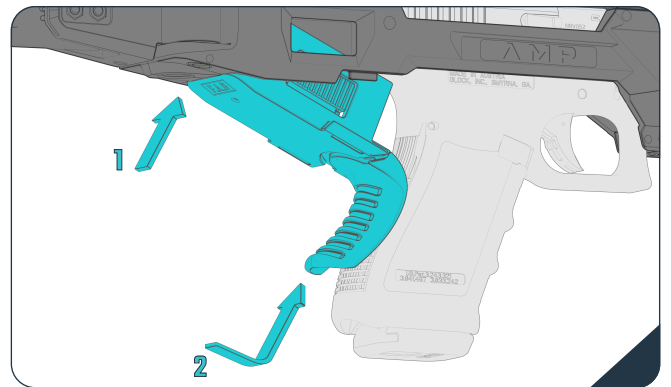


Tilt the handgun and slide the handgun forward into the handguard so the handgun accessory rail will securely fit into the handguard rail.

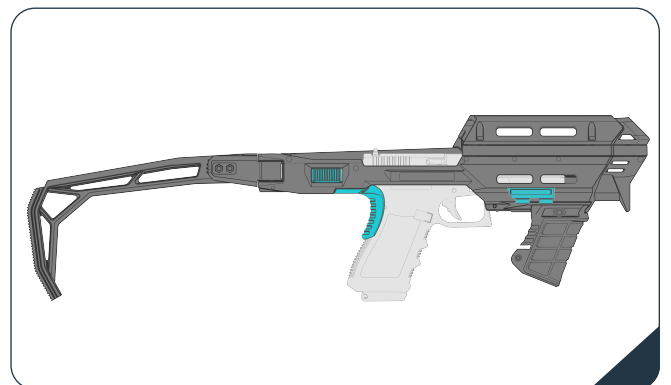


Push the two assembly locking buttons and secure the handgun.

Make sure the adapter is seated correctly, and locked into place



Make sure that the firearm is seated firmly inside the AMP and that the rail is captured by the rail adapter.



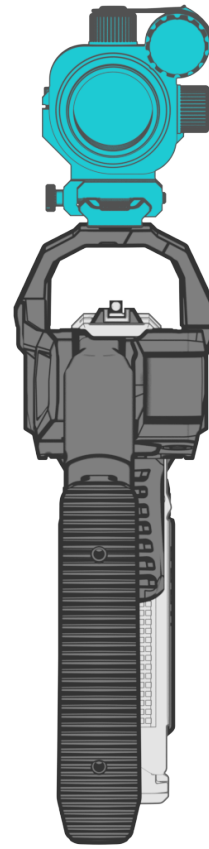
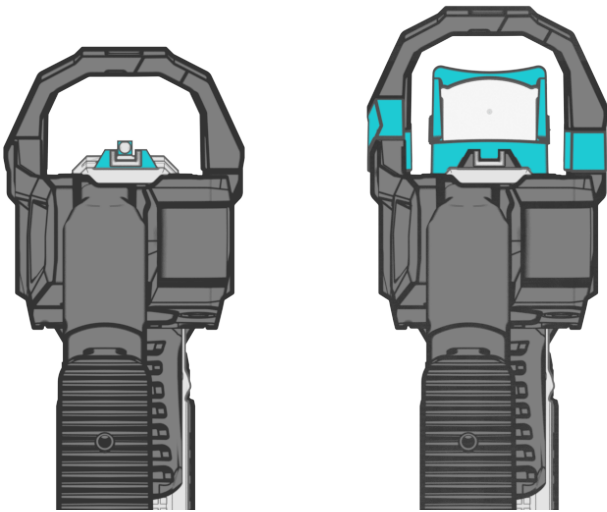
AMP Kit / Pistol to Carbine Conversion Kit

The AMP gives you the freedom to use your firearm with different sighting options, you can use rail mounted optics, slide mounted optics or even your original iron sights.

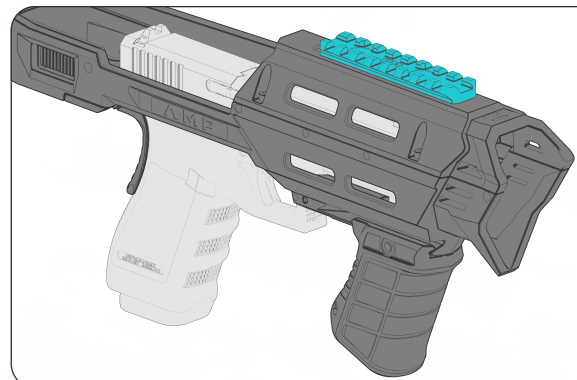
According to your selected sighting system you will need to do the following adjustments



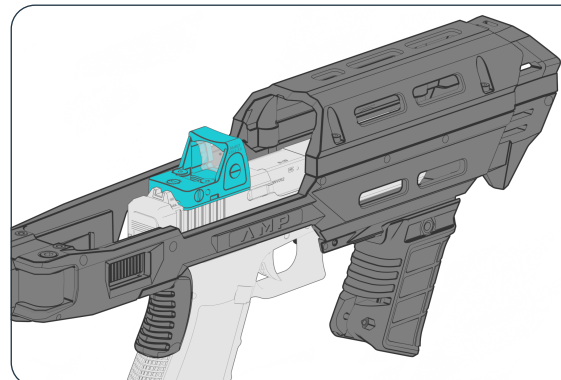
Always safety check and clear the firearm before installing any weapon accessorize

**Using Rail Mounted Optics**

Attach the included MA3 picatinny rail segment to the top side of the AMP handguard
Adjust the buttstock angle to fit your positioning

**Using Slide Mounted Optics**

Insert your firearm and view the optic, on some firearms you will need to install the included spacers, so the upper handguard is not blocking the view of your slide mounted optic
Adjust the buttstock angle to fit your positioning

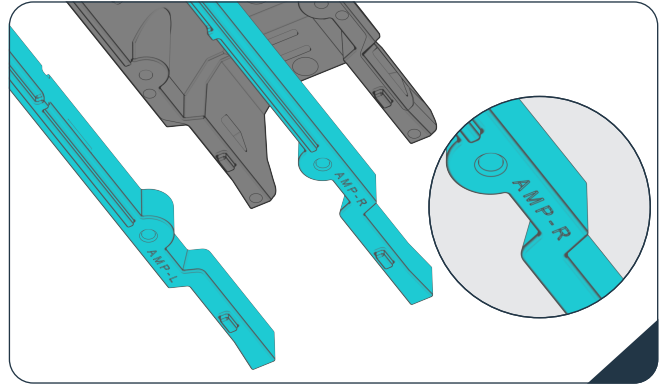


Spacers Installation

Aligne the spacer on the right and left sides according to the stamped mark

Use the second set of screws to reassemble

The longer screws attach on the left side upper to the cocking mechanism

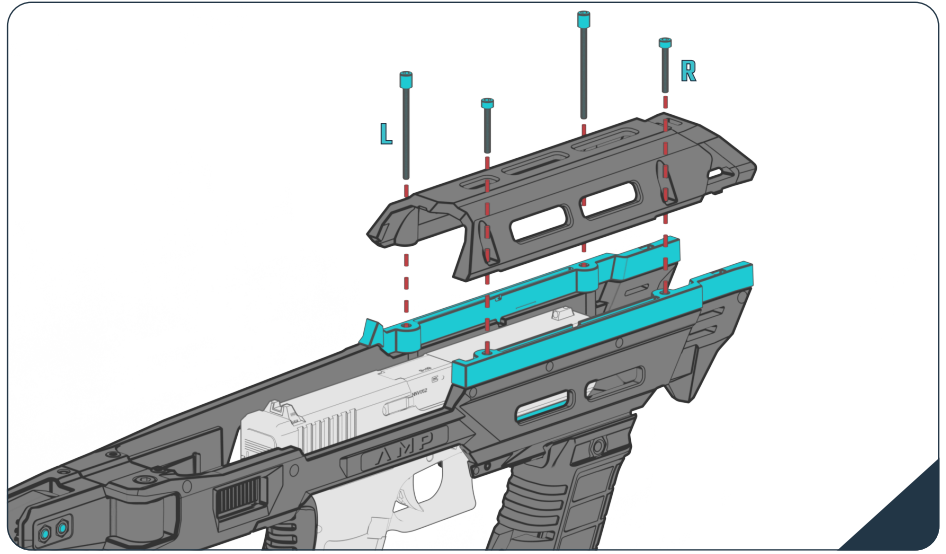


Left side

use the LONG screws

Right side

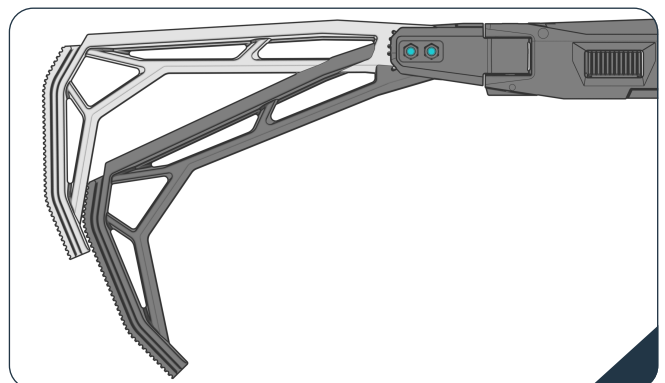
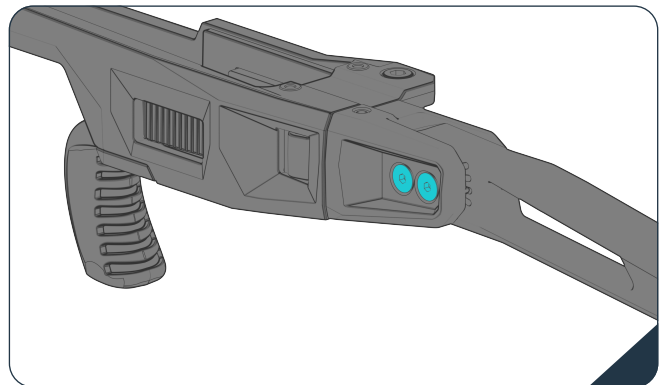
use the SHORT screws



Adjusting Buttstock Angle

Release the two screws locking the buttstock angle and readjust to fit your shooting style or sights viewing angle

Lock the two screws firmly and DO NOT use power tools



Always safety check and clear the firearm before installing any weapon accessorize



DO NOT USE POWER TOOLS WORKING ON YOUR AMP